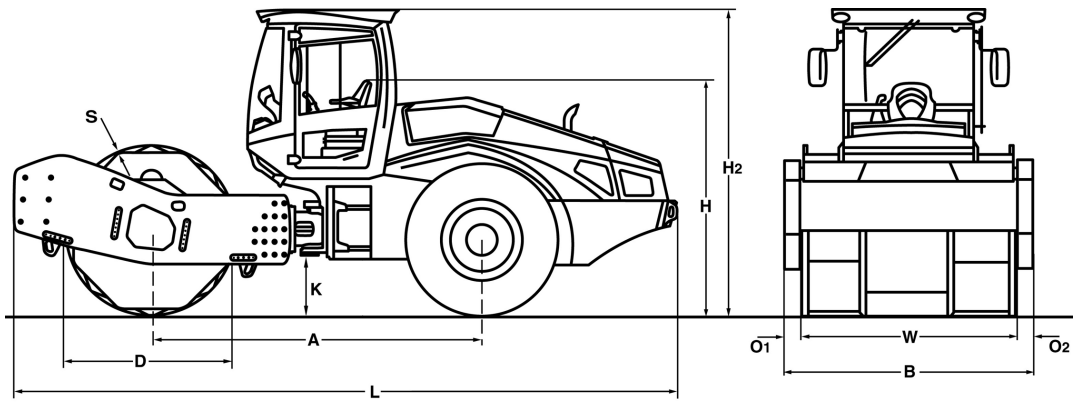


# TECHNICAL DATA

SINGLE DRUM ROLLERS

BW 226 DI-5





**Dimensions in mm**

	<b>A</b>	<b>B</b>	<b>D</b>	<b>H</b>	<b>H2</b>	<b>K</b>	<b>L</b>	<b>O1</b>	<b>O2</b>	<b>S</b>	<b>W</b>
<b>BW 226 DI-5</b>	3360	2500	1750	2340	3080	430	6750	185	185	35	2130

**Shipping dimensions in m3**

**BW 226 DI-5**

**without ROPS**

39,488

**with ROPS**

51,975

<b>Machine type</b>	<b>Compaction output (m3/h)</b>			
	<b>Rock fill</b>	<b>Gravel, sand</b>	<b>Mixed soil</b>	<b>Silt, clay</b>
BW 226 DI-5	1180-2120	1180-2120	810-1550	450-890

<b>Machine type</b>	<b>Compacted layer thickness (m)</b>			
	<b>Rock fill</b>	<b>Gravel, sand</b>	<b>Mixed soil</b>	<b>Silt, clay</b>
BW 226 DI-5	2,00	2,00	1,50	0,80

## Technical Data

## BOMAG BW 226 DI-5

### Weights

Grossweight .....	kg	26.930
Operating weight CECE w. ROPS-cabin .....	kg	25.250
Axle load, drum CECE .....	kg	17.950
Axle load, wheels CECE .....	kg	7.300

### Dimensions

Working width .....	mm	2.130
Track radius, inner .....	mm	4.260

### Driving Characteristics

Speed .....	km/h	0- 9,0
Max. gradeability without/with vibr. ....	%	50/47

### Drive

Engine manufacturer .....		Deutz
Type .....		TCD 2012 L06
Emission stage .....		Stage IIIa / TIER3
Cooling .....		water
Number of cylinders .....		6
Performance ISO 3046 .....	kW	150,0
Performance SAE J 1995 .....	hp	202,0
Speed .....	min-1	2.200
Fuel .....		Diesel
Electric equipment .....	V	12
Drive system .....		hydrost.
Drum driven .....		standard

### Drums and Tyres

Tyre size .....		750/65R26
-----------------	--	-----------

### Brakes

Service brake .....		hydrost.
Parking brake .....		hydromec.

### Steering

Steering system .....		oscil.artic.
Steering method .....		hydrost.
Steering / oscillating angle +/- .....	grad	35/12

### Exciter system

Drive system .....		hydrost.
Frequency .....	Hz	26
Amplitude .....	mm	2,50
Centrifugal force .....	kN	500
Centrifugal force .....	t	51,0

### Capacities

Fuel .....	l	280,0
------------	---	-------

Technical modifications reserved. Machines may be shown with options.

### Standard Equipment

- BOMAG ECOMODE
- BOMAG VARIOCONTROL
- TERRAMETER
- Warning, information and operation displays with LCD
- Hydrostatic travel and vibration drive
- Hydrostatic articulated steering
- Articulated joint lock
- Rear axle with twin spring accumulator brakes
- Self locking differential
- Warning horn
- Single lever control for travel and vibration
- Seat with arm rest and adj. for position and height
- 2 Scrapers
- Emergency STOP
- Back-up alarm
- Working lights front / rear
- Double pump system for travel drive
- Loading mode
- Battery disconnect switch
- BOMAG TELEMATIC POWER
- Tractor tires

### Optional Equipment

- ROPS/FOPS cabin with seat belts
  - Sliding window
- Air condition
- Rearview camera
- BOMAG ECOSTOP
- Radio (Bluetooth)
- Indicator and hazard lights
- Special painting
- Rotary beacon
- Pre start cabin heating
- Comfort package: Adjustable seat and adjustable steering column
- Tractor tires
- Measuring- and machine data interface for third-party suppliers
- LED Working lights (Cabin)
- Radial tires

